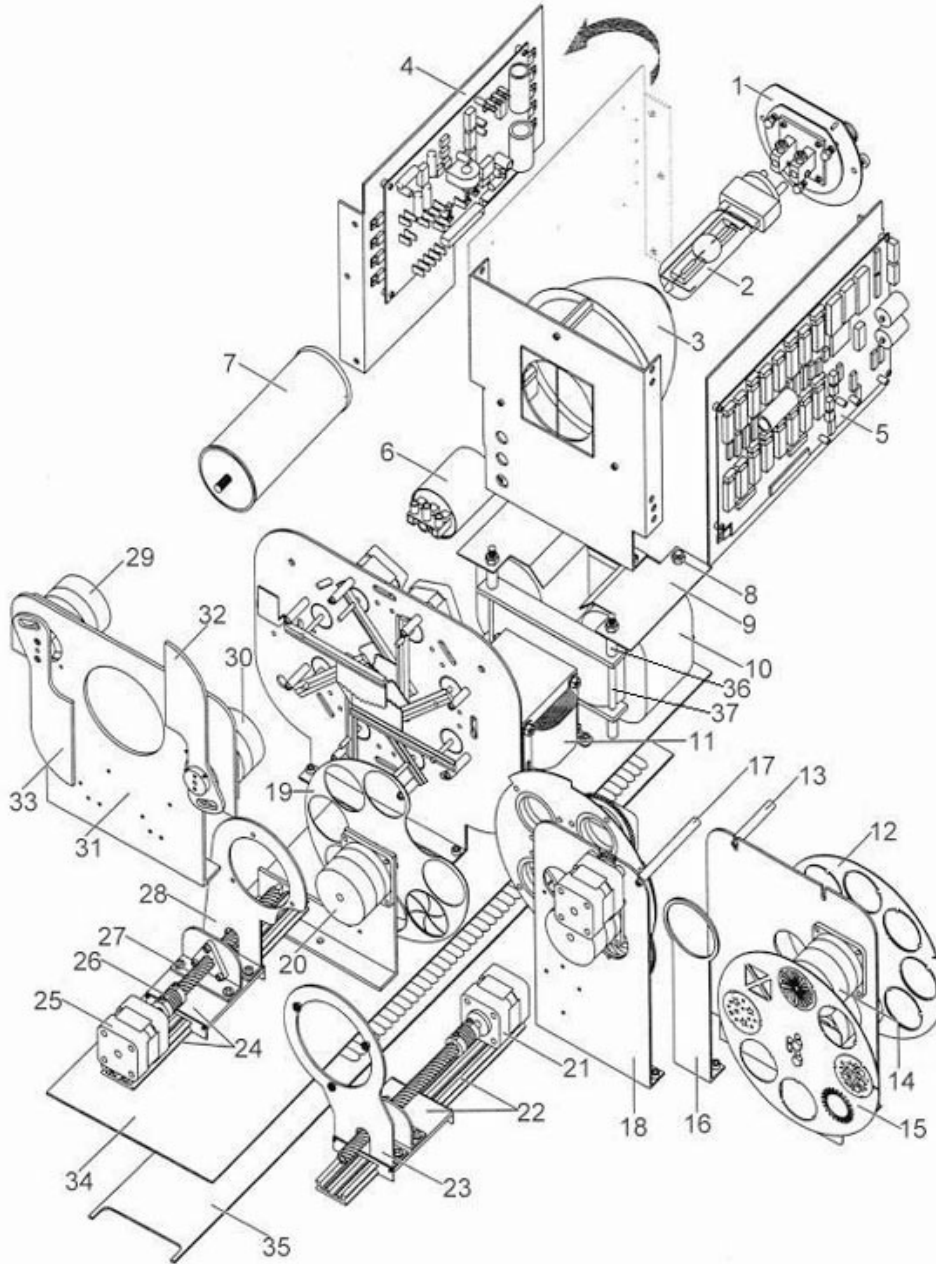


Cyberlight
Interior



1.	80300006	Lamp Adjust Assy.
2.	55030047	Lamp, MSR1200/2
3.	80240007	Reflector/Heat Filter Assy.
4.	80050045	Board, Power Supply Assy.
5.	80010073	Board, Logic Assy.
6.	90606006	Ignitor
7.	90299010	Capacitor, Power Factor
8.	90703025	Keps Nut 1/4 - 20
9.	99260086	Light Block, Ballast
10.	80330003	Ballast Assy.
11.	80230008	Transformer Assy. With Connector
12.	80190009	Color Wheel Assy.
13.	90702206	Standoff, 1.875" Round
14.	99270020	Motor, Type 23, 19.05 mm
15.	80200010	Wheel, Litho Assy.
16.	80160024	Power Lens Assy.

17.	90702205	Standoff 3.022" Round
18.	80200007	Rotating Gobo Assy.
19.	80190010	Wheel, Effects Assy
20.	99270020	Motor, Type 23, 19.05mm
21.	99270070	Motor 2V
22.	80430043	Linear Slide Assy.
23.	80160021	Zoom Lens Assy.
24.	80430043	Linear Slide Assy.
25.	99270070	Motor 2V
26.	90701137	Coupler, Rubber
27.	80070279	Lead Screw, 6.25"
28.	80160022	Lens, Focus Assy. (Achromat)
29.	99270020	Motor, Type 23, 19.05mm
30.	99270020	Motor, Type 23, 19.05mm
31.	80070216	Plate, Mount Frost/ Linear Slide
32.	80560005	Flag, Frost Left Assy.
33.	80560006	Flag, Frost Right Assy.
34.	80070221	Center Plate
35.	80070223	Plate, Unit Top
36.	90702028	Spacer 1/4 x 1.275
37.	90707053	Bolt, Hex 1/4 x 5 5/8

Additional Parts Not Listed:

90707015	Socket Cap 8 - 32 x 3/8 (For 1.875" Standoff)
90706017	Star Washer Inner Tooth (For 1.875" Standoff)
90707015	Socket Cap 8 - 32 x 3/8 (For 2.975" Standoff)
90706017	Star Washer Inner Tooth (For 2.975" Standoff)
80510071	Glass, Heat Filter (2 Required)
99130008	Reflector
80040018	Sensor Assy.
90405139	Switch, Safety Interlock
90413006	Switch, Thermal Hi Temp
90406048	Connector, 10 Position (Transformer)
80470058	Wire Harness, 14 Position (Logic - PSB)
80470059	Wire Assy. 9" Orange (PSB - Capacitor)
80470061	Wire Assy. 8" Grn/Yel (Ground - PSB)
80470062	Wire Assy. 13" Grn/Yel (Ground - Center Plate)
80470063	Wire Assy. 21" Red (Ignitor - Lamp Socket)
80470064	Wire Assy. 21" Black (Ignitor - Lamp Socket)
80470065	Wire Assy. 9" Wht/Blk (PSB - Ignitor)
80470066	Wire Assy. 9" Blk/Wht (PSB - Ignitor)
80470067	Wire Assy. 25" Brown (Power Switch - Interlock/Thermal)
80470068	Wire Assy. 25" Blue (Power Switch - Interlock)
80470069	Wire Assy. 28" Brown (Interlock - Interlock)
80470070	Wire Assy. 28" Blue (Interlock - Interlock)
80470071	Wire Assy. 10" Brown (PSB - Interlock)
80470072	Wire Assy. 10" Blue (PSB - Interlock)
80470100	Wire Assy. 30" Green (Lamp Socket - Ground)
80470142	Wire Assy. 3" Blue (Interlock - Thermal Switch)

[Cyberlight Exploded Diagrams Main Page](#)